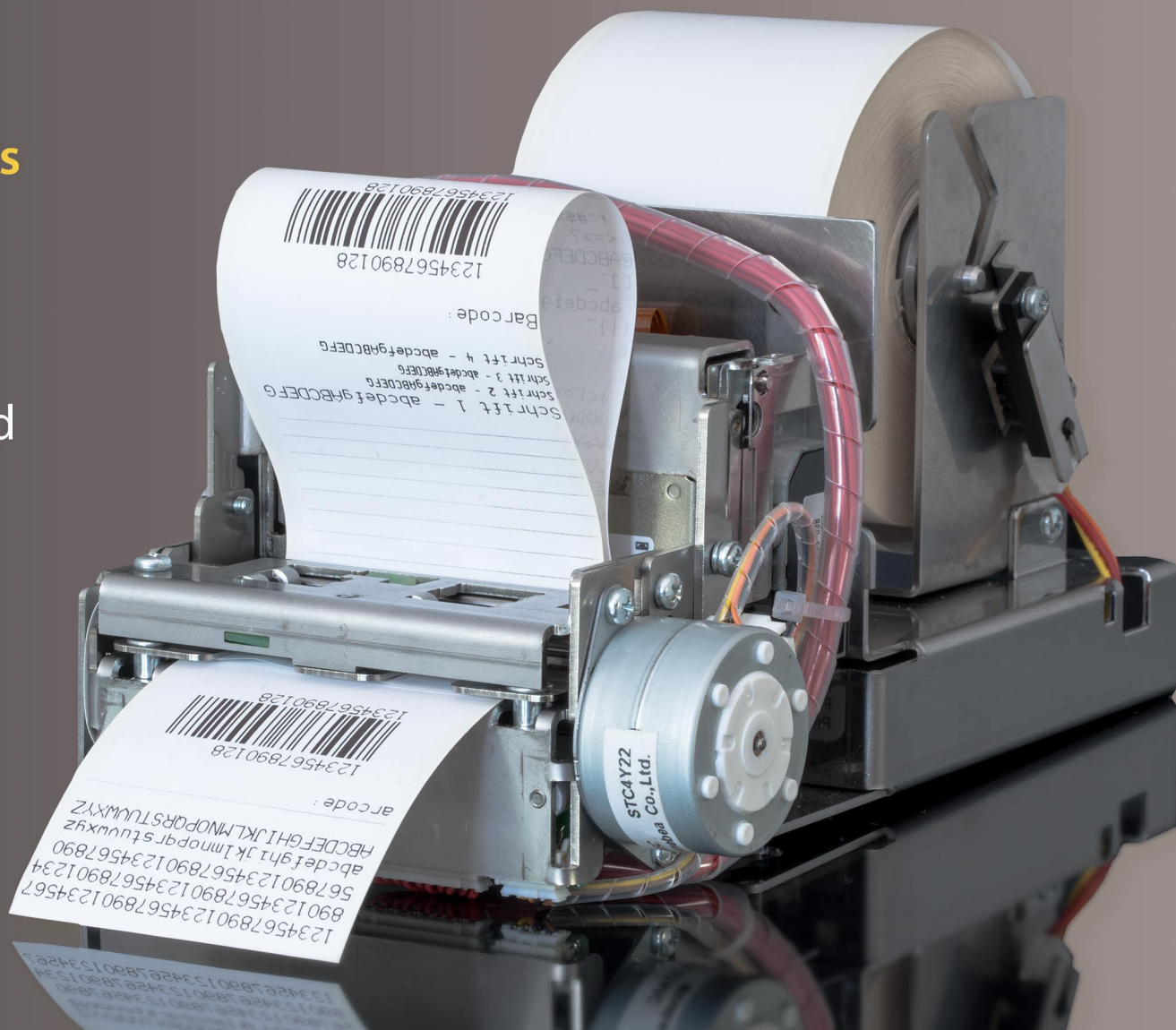


DS-TP-629-PRE

Ruggedized Fine Mechanics

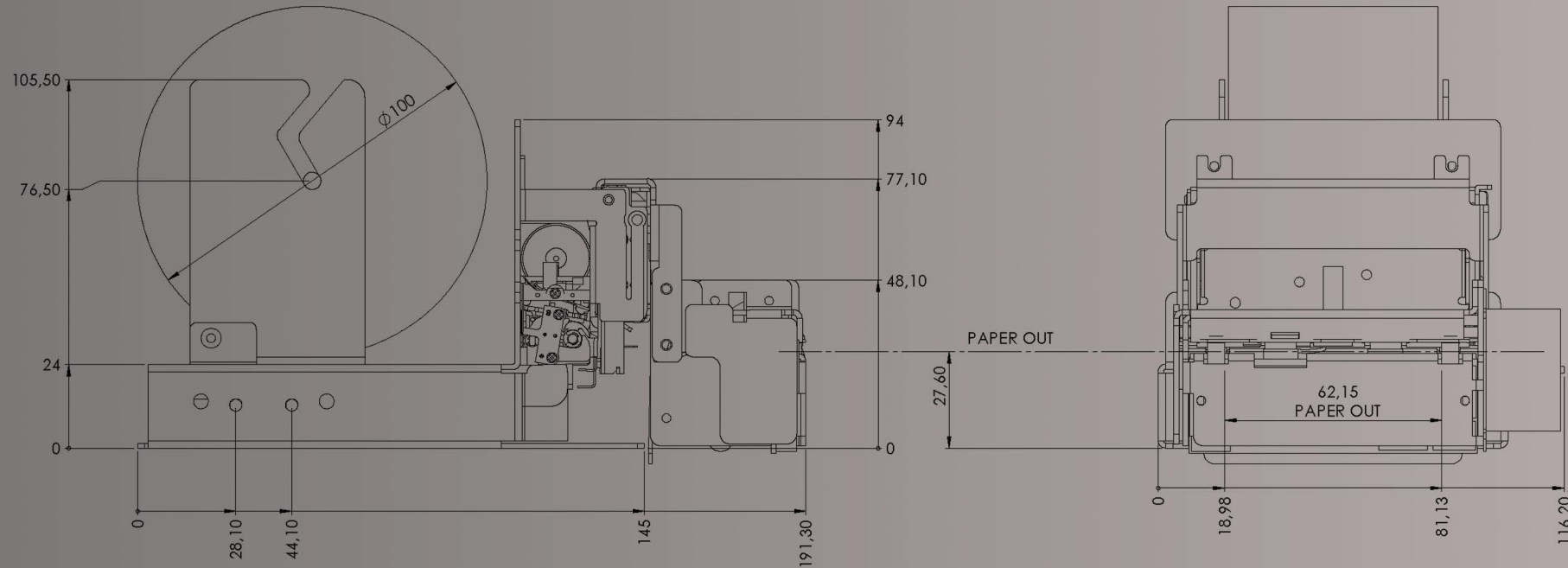
Compact Thermal Printer with Loop Presenter

- ◆ 10-15 Volt | 24 Volt operated
- ◆ 60.0mm Paper Width⁽¹⁾
- ◆ Retract Function
- ◆ RS232 | USB



(1) 80.0 mm paper width on request

Module can be adjusted to different paper roll size



Thermal Printer

Resolution	8 dots/mm
Printing Speed	up to 180 mm/s
Life Time	150 km
Paper Thickness	up to 120 μ m
Paper Width	60.0 mm to 80.0 mm
Paper Cutter	full cut
Life Time	1 Mio cuts (full or partial)

Controller

Host Interface	RS232 USB
Supply Voltage	10 - 15 VDC 24 VDC
Character Sets	ISO-8859-x
Character Size	16x24, 10x20, 12x20, 8x20
Barcodes	EAN 13/8, EAN 128, UPCA, UPCE, 2/5 Interleave 2/5 Industrial, 2/5 Matrix, 2/5 Datalogic Codabar, Code 39, Code 128